

X140 Amplifier

External 4 way distribution amplifier



global **invacom**
completing the picture



- Fully compatible with the Sky® Digital tvLINK® system
- Powered by the Sky set-top Box or mains powered via a DCI and PSU (sold separately)
- High performance
- Water resistant design for external installation

Product description

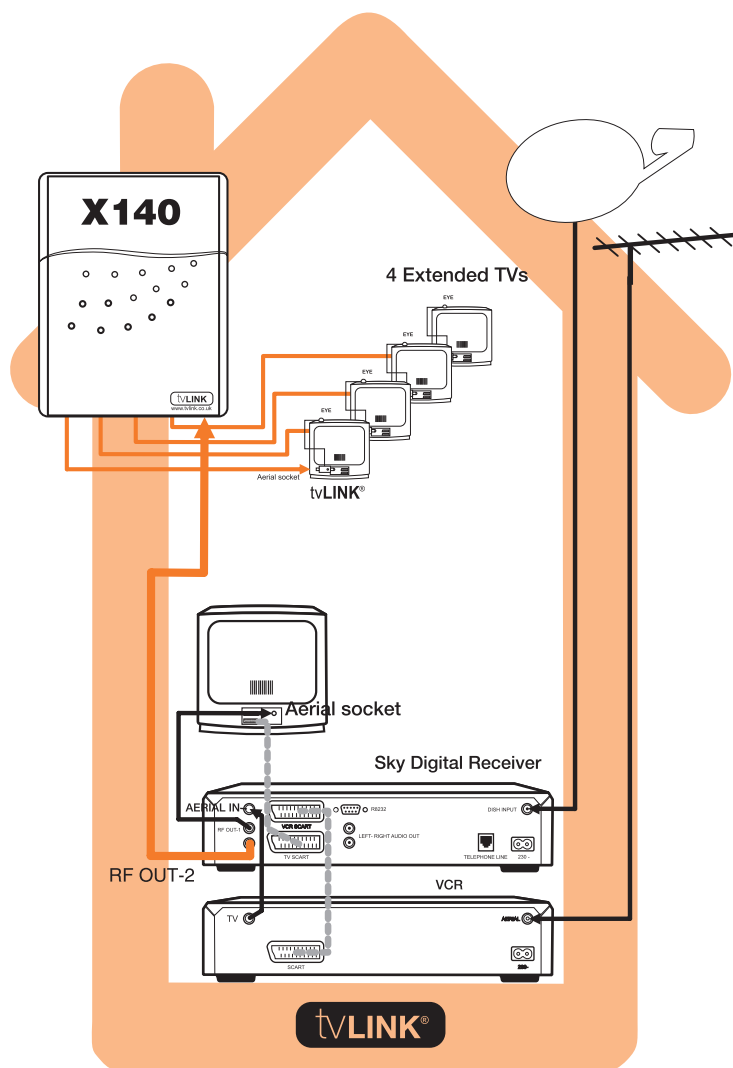
The **X140** professional external distribution amplifier is part of the tvLINK range of distribution amplifiers, manufactured for the installer market.

It is designed with excellent performance on both UHF and FM signals, and with the use of diplexers (sold separately) can offer a second Satellite feed at a different location.

The **X140** comes in a screened metal box which is enclosed in a rain proof plastic cover. This protects the metal box and the connectors which avoids the need for time consuming and expensive tape, or boots.

Completely compatible with the tvLINK, the **X140** is built with the latest technology that amplifies the tvLINK signal back to the Sky Set-top Box, minimising the possibility of error.

The **X140** is powered by the Sky Set-top Box, or from the mains power via a DCI and PSU (sold separately).

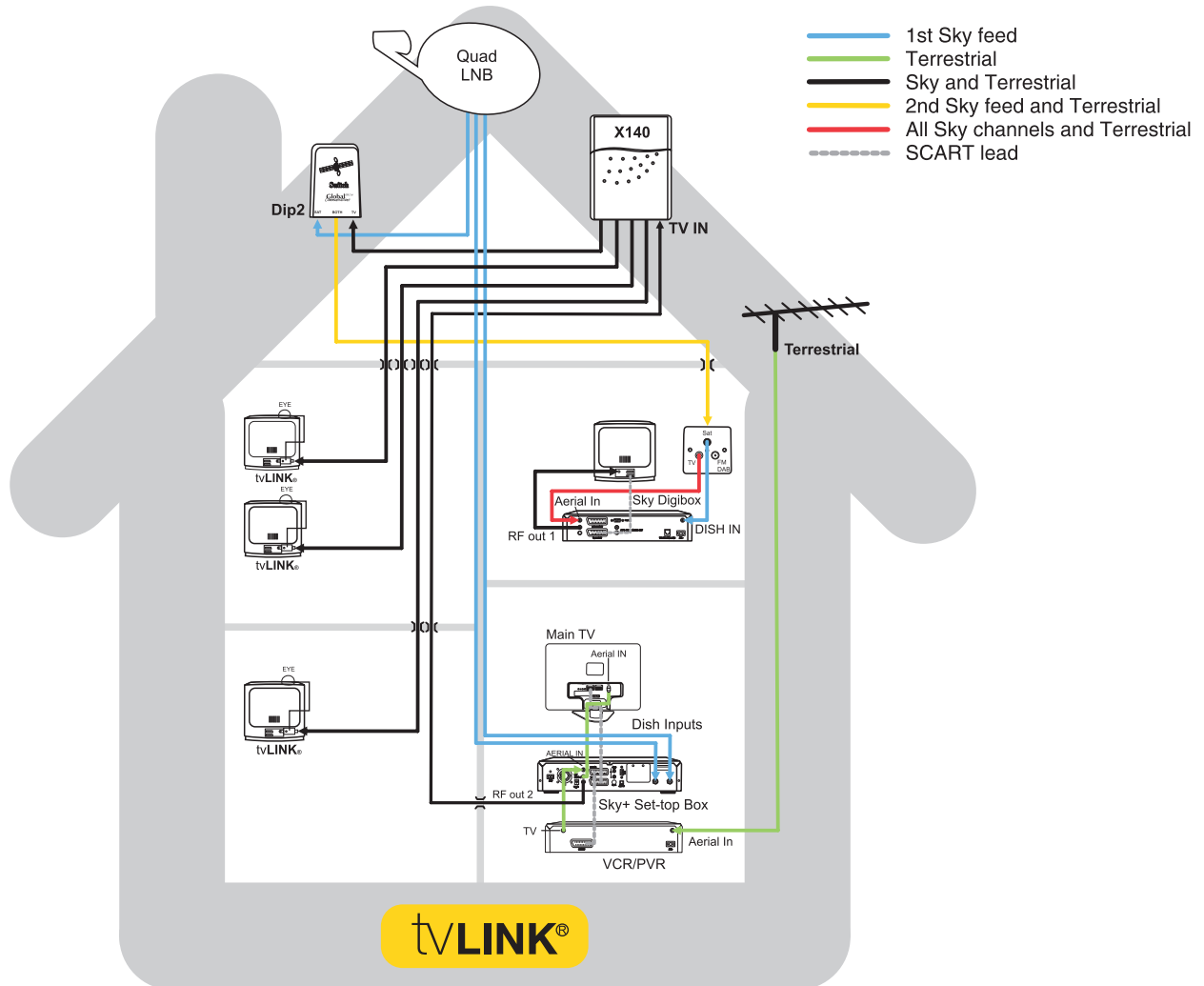


X140 Amplifier

Installation for 2 Sky set-top boxes
in 2 separate locations.



global invacom
completing the picture



© Copyright of Global Communications (UK) Ltd 2007

Product Specification

Freq. Range (MHz)	47-860MHz
No. Outputs	4
Gain @ 8V Supply (dB)	6
Gain @ 12V Supply (dB)	7
Noise Fig. (dB)	3
Output Capability @ 8V (dBuV)	78
Output Capability @ 12V (dBuV)	85
Isolation between Outputs (dB)	25
Input return Loss (dB).	9
Output Return Loss (dB) .	7
tvLINK Compatible	YES
Power requirements	Sky Set-top Box or DCI & Power Pack
Connectors..	F Type
Indoor or Outdoor Use	Outdoor

Product Range:

tvLINK, T- Series Amps, F- Series Amps, Dimplexers, By-pass Kit, Wallplates, LoftBox, AmpADDER, SPC4, plusCOMBINER.