

# SCR ADAPTOR



global **invacom**  
completing the picture



- Allows up to 2 Sky+ STBs to be connected via a single IRS feed enabling both Sky+™ and Sky Multiroom™
- Full four port recovery
- Compatible with any existing IRS installations\*†
- Simple to install

## Product description

The Global Single Cable Router (**SCR**) is designed, in conjunction with BSkyB, to allow up to four compatible Sky tuners to connect to an IRS via a single coaxial cable.

The **SCR Adaptor** is ideal for use in MDU applications, where it is not possible to run extra cables to apartments where Sky+™, Sky HD™, or Sky Multiroom™ is required.

The **SCR Adaptor** connects to four outputs of a multiswitch. It provides a stacked output, which enables one subscriber to have up to four compatible Sky tuners connected in their apartment. The **SCR Adaptor** also has four legacy ports allowing full legacy port recovery.

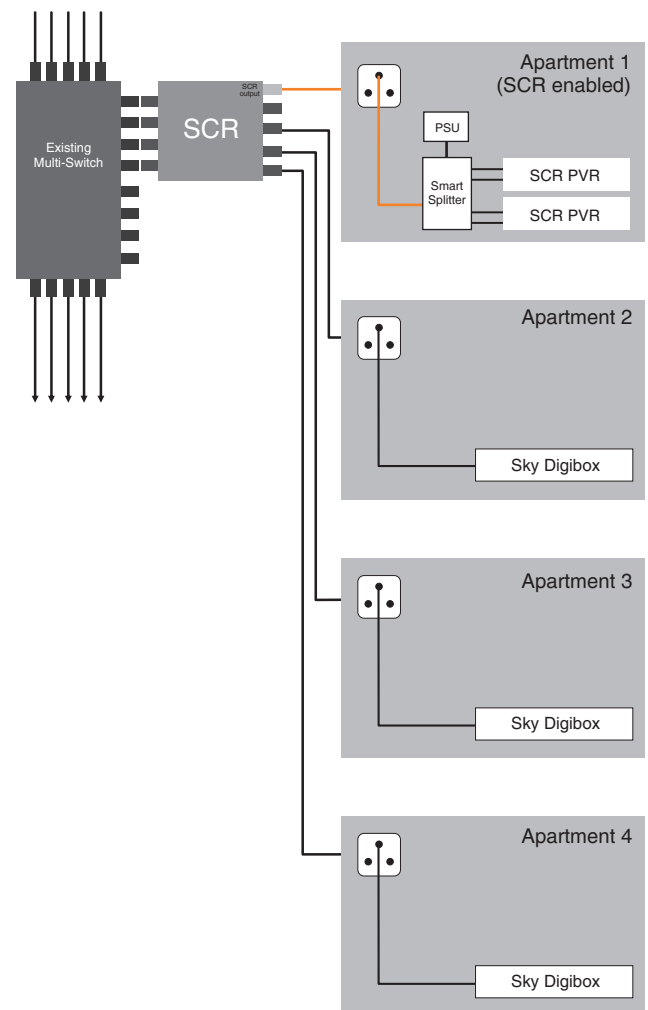
Within the SCR enabled apartment, a smart splitter with PSU (supplied) is required to power the **SCR Adaptor** & to prevent communications clashes from the connected tuners.

The Global **SCR Adaptor** uses the STB Receiver Bands 11, 14, 17 & 19 (being the default channels used by the Pace PVR V3). The Receiver Bands are selectable within the menu of the SCR compatible Sky STB.

\* Assuming equipment used meets the requirements as detailed by the Sky Homes specification for IRS systems.

† Global can not be held responsible for the performance of non-Global manufactured equipment.

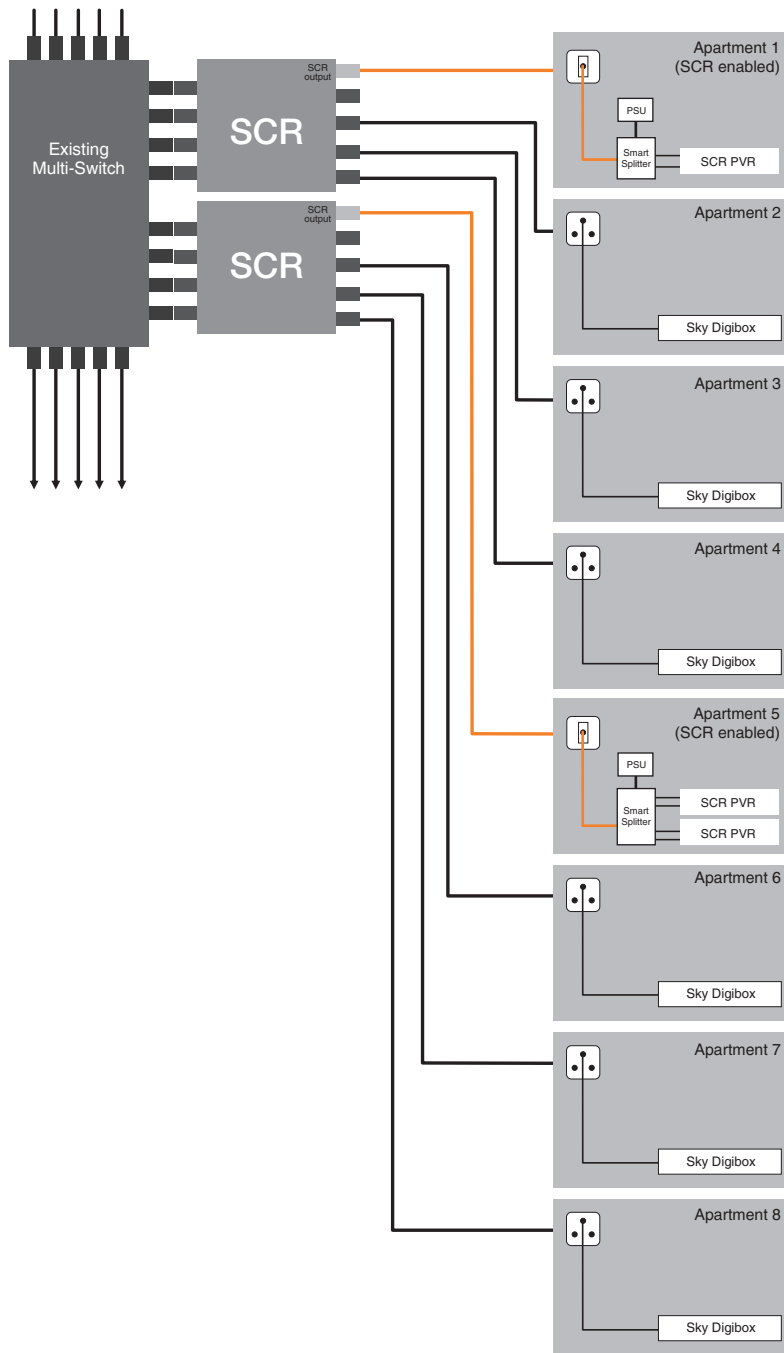
## NEW SCR Adaptor Multi-Switch Installation. Option 1.



A Global Smart Splitter is required for the correct installation of the SCR.

# SCR ADAPTOR

## NEW SCR Adaptor Multi-Switch Installation. Option 2.



## Specification

### SCR Adaptor

RF Connectors (75 Ohm) 'F' Type:

#### Return Loss

Multi-switch input and legacy ports:  
 44 - 854 MHz >10 dB  
 950 - 2150 MHz >10 dB

#### Stacked Port:

44 - 854 MHz >10 dB  
 1265 - 1703 MHz >12 dB

#### Gain/Output Levels

#### Legacy ports:

44 - 854 MHz -6.0 dB Min. dB  
 950 - 2150 MHz 950 MHz -2.0 +/- 2 dB  
 2150 MHz 3.0 +/- 2 dB  
 Slope 6dB

#### Stacked port:

44 - 854 MHz 3.0 dB +/- 2 dB  
 Output level per channel (Sky brands 11,14,17,19)  
 86 +/- 2 dBuV

#### Noise Figure

#### Legacy ports:

44 - 854 MHz <6.0 dB  
 950 - 2150 MHz <25 dB

#### Stacked port:

44 - 854 MHz <17 dB  
 Translated Sat <25 dB

#### IIP3

#### Legacy ports:

950 - 2150 MHz +117.0dBuV

#### Stacked port:

44 - 854 MHz +114 dBuV  
 Stacked Channels +116 dBuV

#### Isolation

#### Legacy ports:

LNB to LNB input >28 dB  
 (low band 950-1950 MHz High band 1100-2150MHz)  
 Legacy to Legacy >35 dB  
 Legacy to Stackedport >35 dB

#### Stacked port:

LNB to LNB input >35 dB  
 Output to output channel >35 dB  
 Input to translated channel >35 dB

#### LO Integrated Phase Noise:

1.5 deg rms (3kHz - 15MHz Integrated BW)

#### Consumption

250 mA Max. (excl. Switch/LNB port loads)

#### Switch Port Loads

160 mA Max. (Aggregate)

A Global Smart Splitter is required for the correct installation of the SCR.

Set-top Box Compatibility table		Updated
Pace PVR V3	TDS470N and TDS470NB 08/05/2007	01/12//2008
Samsung HD	9730 (01/02/03/04/05)	" "
Pace HD	9F30 (01/02/03)	" "
Amstrad HD	(DRX780uk) 4F3001 (available Jan '09)	" "

### Smart Splitter

RF Connectors (75 Ohm) 'F' Type:

#### Return Loss

All ports 44 - 2150 MHz >10 dB

#### Gain

44 - 2150 MHz >-14 dB